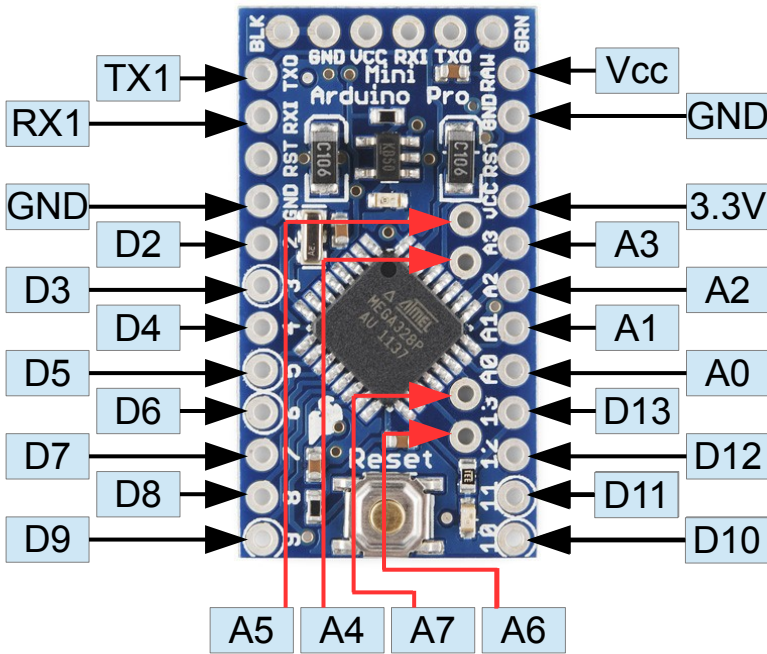


Cab Schematic

3.3V Arduino



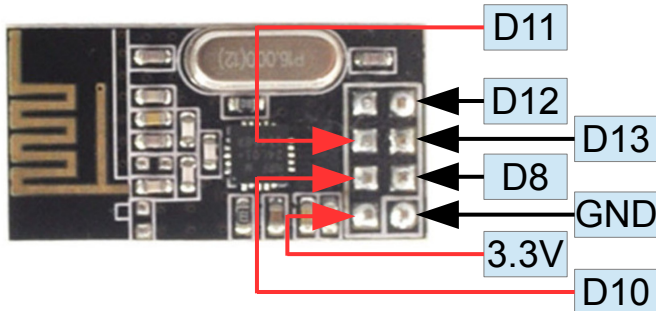
Right Indicator



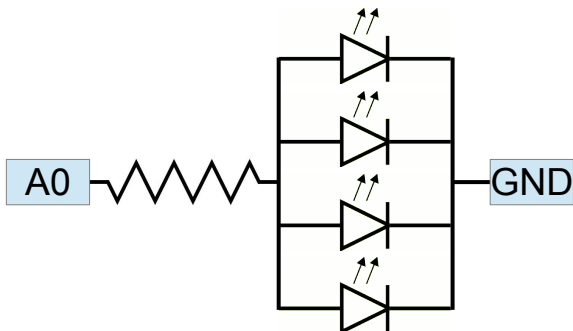
Left Indicator



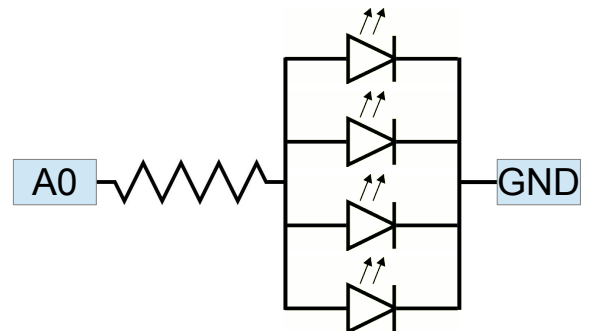
NRF24L01



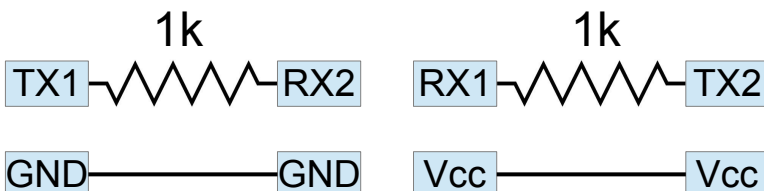
Head Lights



Work Lights

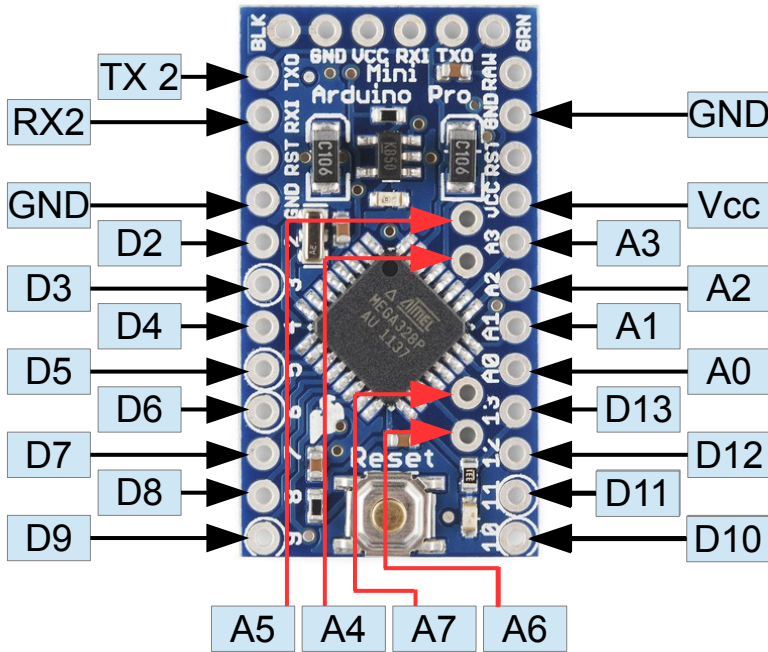


Connection to Body Circuit

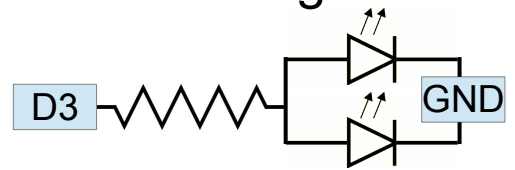


Body Schematic

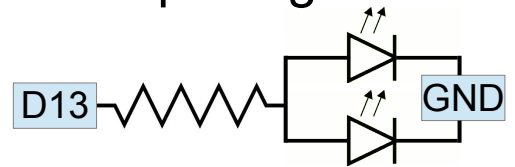
5V Arduino



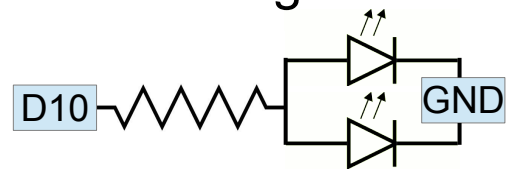
Head Lights



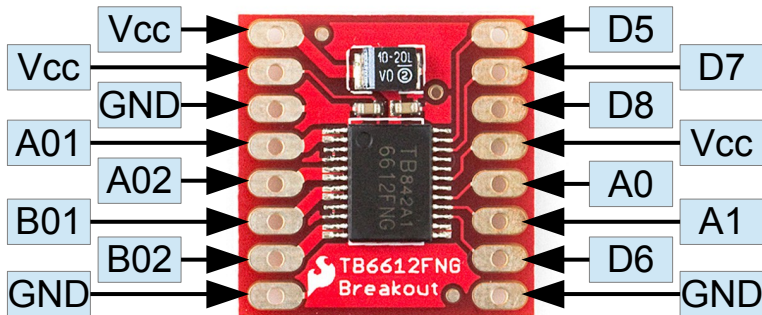
Spot Lights



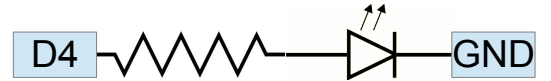
Tail Lights



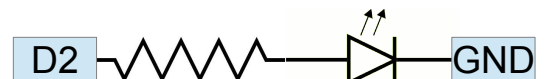
TB6612FNG



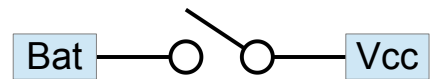
Right Indicator



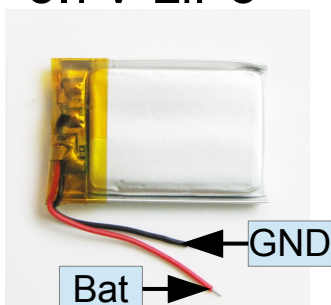
Left Indicator



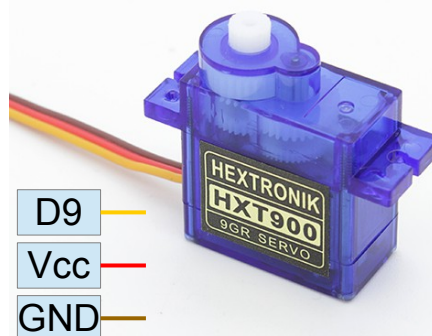
Power Switch



3.7V LiPo



Lifting Arm Servo



Drive Motor

