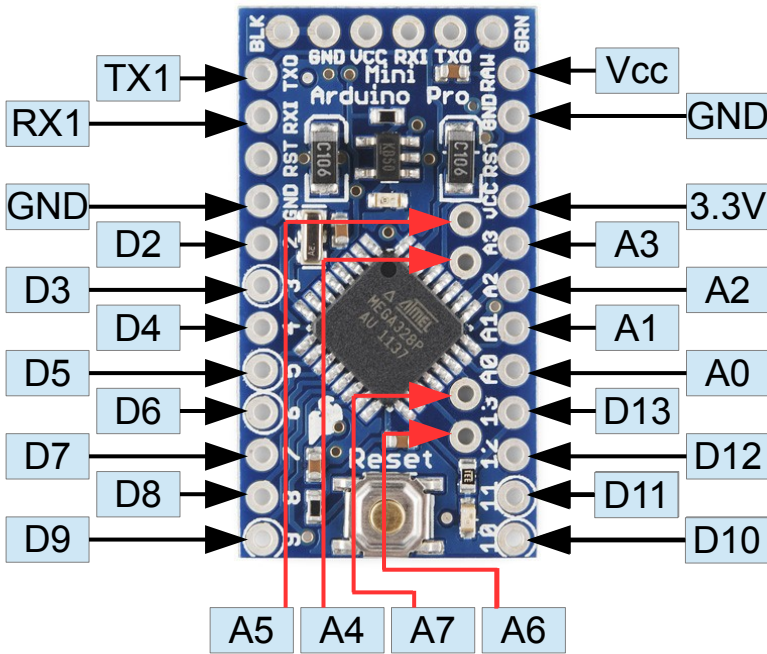


Cab Schematic

3.3V Arduino



Right Indicator



Left Indicator



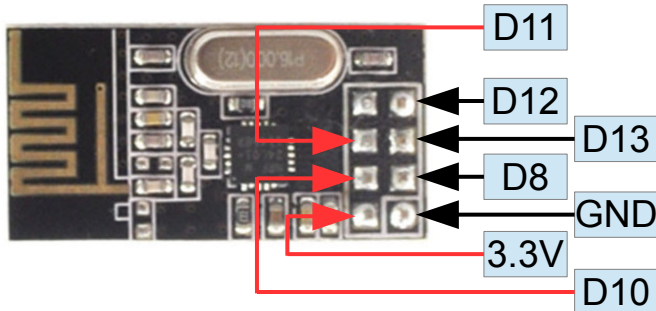
Right Beacon



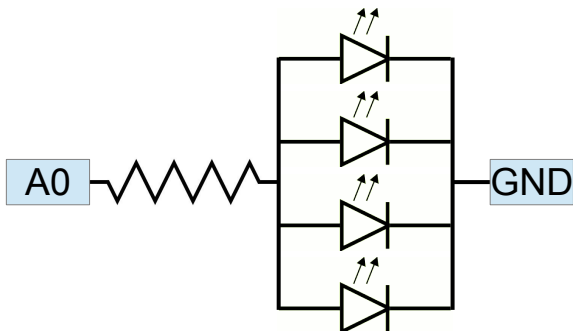
Left Beacon



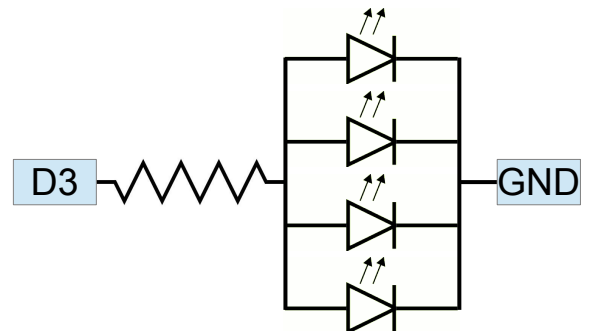
NRF24L01



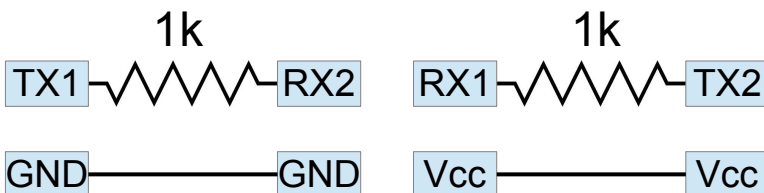
Rear Lights



Front Lights



Connection to Body Circuit



Body Schematic

