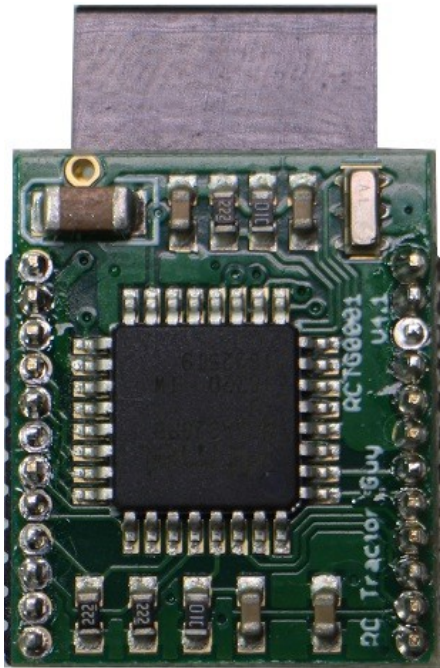
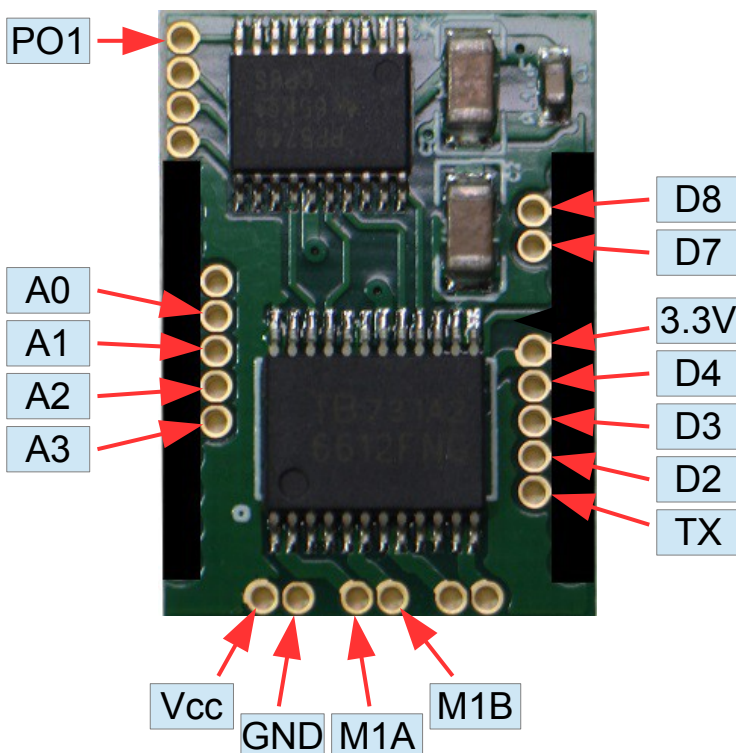


# RC Tractor Guy Control Board v4

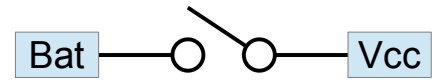


Program and plug into

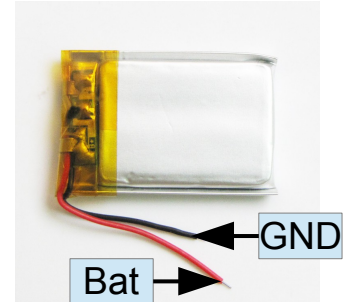
# RC Tractor Guy Small Motor Driver Board V4



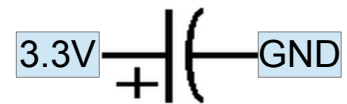
## Power Switch



## 3.7V LiPo



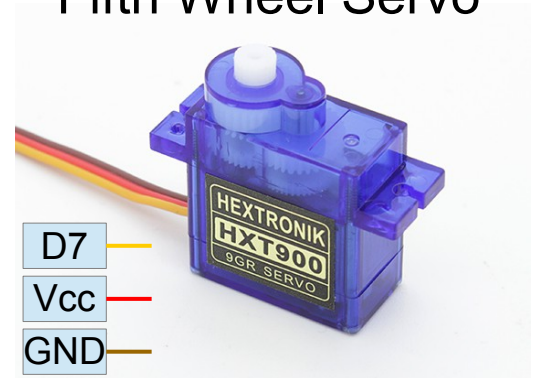
## Smoothing Capacitor



## Steering Servo



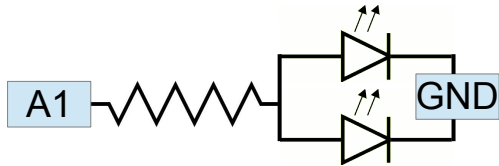
## Fifth Wheel Servo



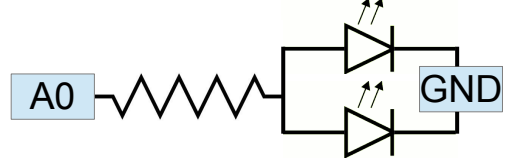
## Drive Motor



Left Indicators



Right Indicators



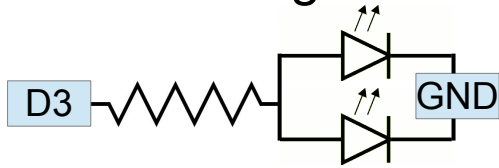
Left Beacon



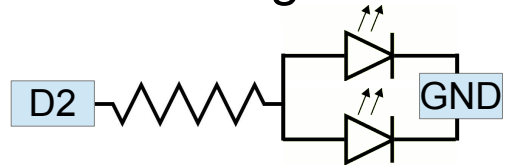
Right Beacon



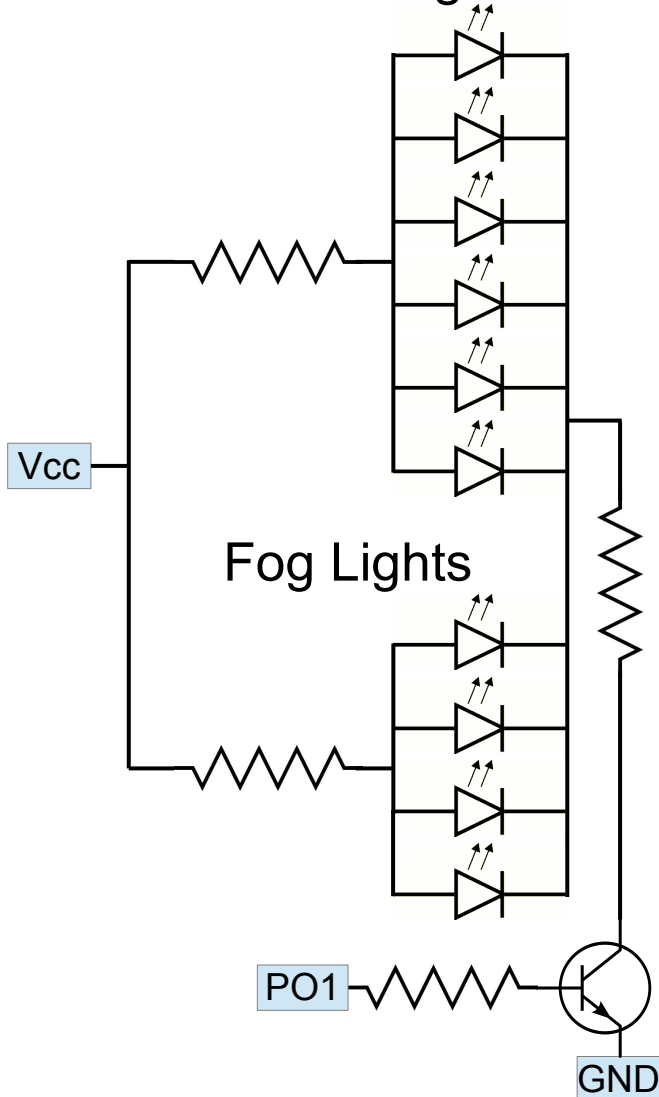
Head Lights



Tail Lights



Blue Grill Lights



Top Spotlights

